

(00) 340382230000000009



Logomatic 920 P

Pallet labelling up to 3 adjacent sides with integrated barcode verification



(00) 34038223000000009



Logomatic 920 P

Printing characteristics

- ✓ Thermal direct or thermal transfer printing method
- ✓ Print resolution: 300 dpi (optional: 203 dpi)
- ✓ Max. label width: 210 mm
- ✓ Barcodes: all standard barcodes and 2D codes
- ✓ Logos
- ✓ **RFID optional**

Operation

- ✓ NEK touchscreen for numeric entry
- ✓ Optional: TDI 10" colour display – with touchscreen function – with alphanumeric entry
- ✓ Optional: multilingual user interface
- ✓ Internal article database
- ✓ Integrated real-time clock
- ✓ Individually programmable counters
- ✓ Optional: low material warning
- ✓ Fault diagnosis
- ✓ Compressed air monitoring
- ✓ Maintenance interval display
- ✓ Optional: part pallet handling
- ✓ Barcode validation
- ✓ Optional: alarm pole
- ✓ Optional: emergency stop

Support and protective housing

- ✓ H-frame
- ✓ Machine enclosure made from steel plate, with inspection windows, service doors and automatic flap control
- ✓ Optional: stainless steel and special colours

Interfaces

- ✓ Integrated Ethernet connection
- ✓ 1x high-speed RS-232 (optional: 2x high-speed RS-232 or RS-422)
- ✓ Optional: profibus
- ✓ Digital I/O (potential-free outputs)

Application

- ✓ 1-sided labelling = up to 240 pallets/h
- ✓ 2-sided labelling = up to 120 pallets/h
- ✓ 3-sided labelling = up to 80 pallets/h
- ✓ Telescopic applicator pad with 800 mm straight net stroke length, plus 200 mm net stroke length folded over by 90° to the right or left

Software

- ✓ Software family: LogoSoft
- ✓ Label design program: LEAP-Express
- ✓ Management software: Control-Center

Label material

- ✓ Up to 800 m standard running length (optional: 1200 m)
- ✓ Outer diameter: 390 ± 5mm
- ✓ Label core: 76/152 mm

Ambient conditions

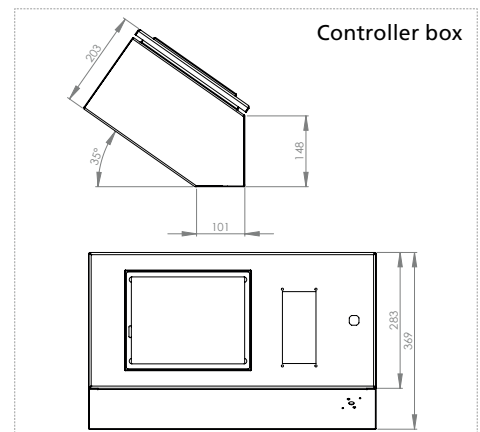
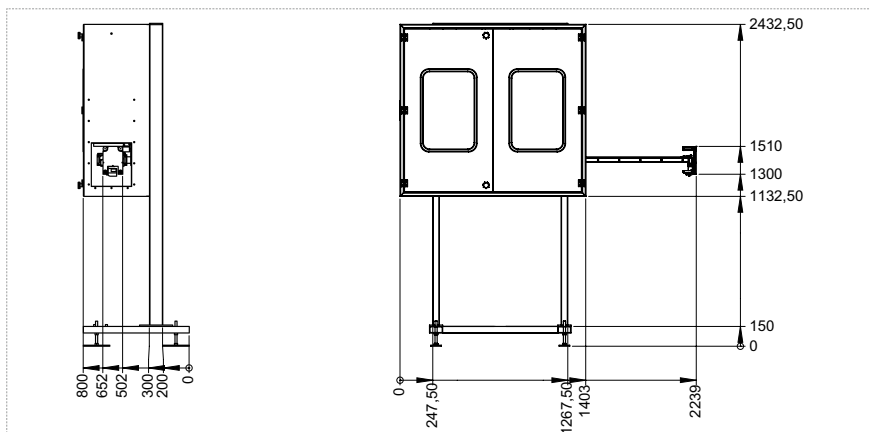
- ✓ Operating temperature: 5°C–37°C
- ✓ Special solutions for demanding ambient conditions
- ✓ Humidity: 20%–85% relative, non-condensing
- ✓ Electrical connection: 88–264 Volt; 43–67 Hz
- ✓ Compressed air: 6 bar dry, clean and oil-free

Certificates

- ✓ CE certified
- ✓ Optional: GOST certificate (Russia)
- ✓ Optional: UL 508 (USA)

Spare parts/maintenance

- ✓ All wearing and spare parts including Print Engine are available from the factory warehouse
- ✓ A delivery guarantee of at least 10 years is warranted on all spare and wearing parts for Logomatic-systems
- ✓ Spare part packages, training, remote monitoring and maintenance agreements



We reserve the right to amend the design and/or specifications of our product without notice.