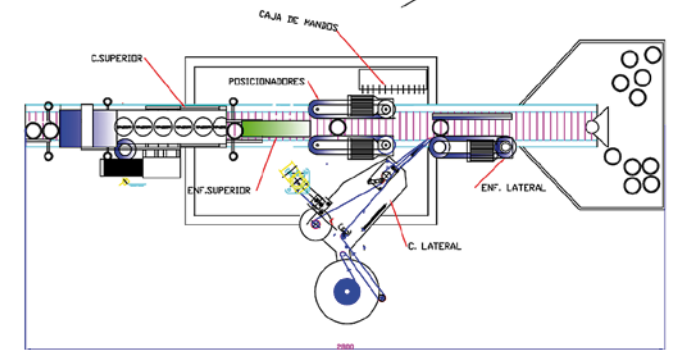
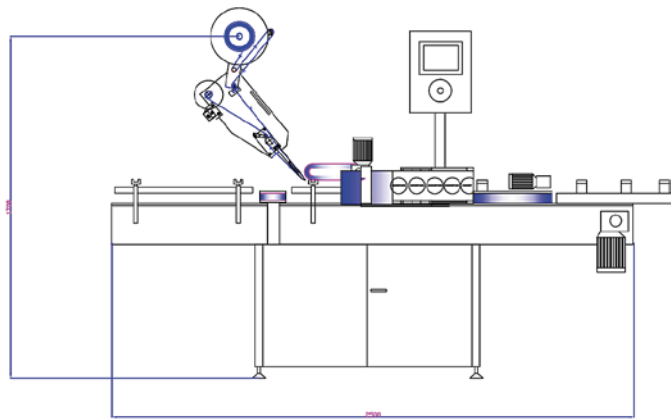
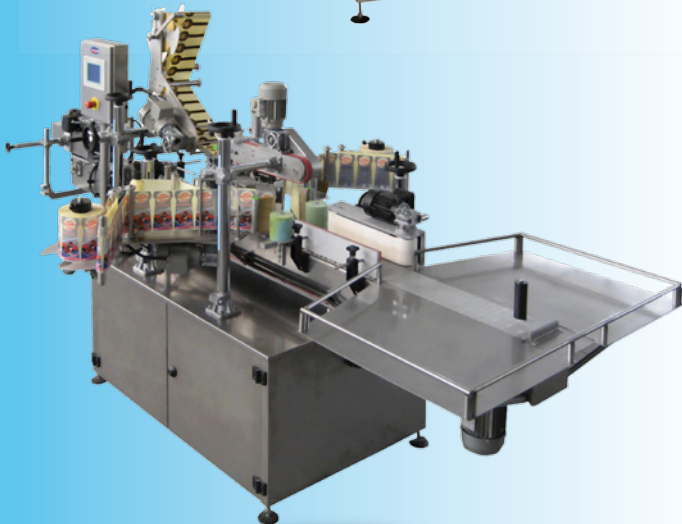


MCP 400T

Labeling system to apply front and/or back label and top seal label on cylindrical containers.

Speed of labeling up to 10.000 packages per hour. It is made of stainless steel.

Regulation of the head labeler by color touch screen. Adaptable to different formats.



CHARACTERISTICS

Production speed: maximum 10.000 packages per hour.

Dispensing speed: 50 meters per minute as maximum.

Label length size: 12mm - indeterminate.

Label width size: 10mm minimum – 120mm – 205mm maximum according to the model.

External diameter labels: 300mm. 400mm Optional.

Inside reel diameter: 40 or 76mm.

Motorization: Step by step motors.

Product size: \varnothing 20mm to \varnothing 100mm. Standard, ask for different sizes.

Power supply: 230 V, 50 – 60 Hz.

Compressed air: 5 bars with print system.

OPTIONAL: Protective Enclosure, chassis made of stainless steel and polycarbonate doors for easy access from both sides. An automatic stop line system is activated when a door inadequately opened.

MarCoPack



MARCOPACK, S.L. - P.I. Saladar I - Avd. Central s/n 30564 Lorquí (Murcia) Spain • Tlf.: +34 902 020 048 • +34 968 692 265 - Fax: +34 968 692 053
www.marcopack.com - E-mail: marcopack@marcopack.com

Marcopack reserves the right to modify its design and specifications without incurring any obligation because this product is subject to continuous improvement.

