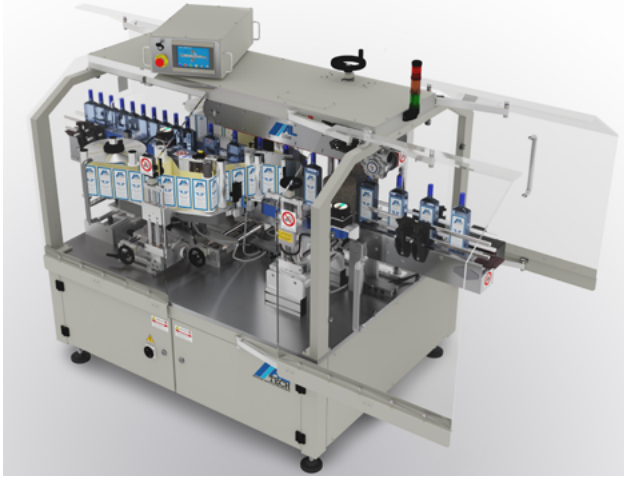





ALline



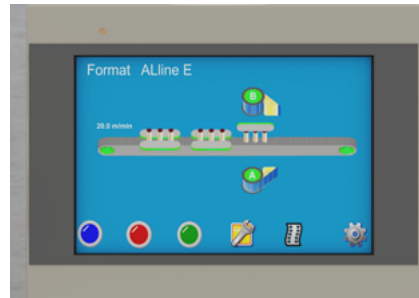
 *ALline labelling system with protection cabin. (Video)*

The ALline series has been developed with the latest ALTECH design criteria, based on years of experience having thousands of machines installed around the world. The result is a series of labellers designed in strict compliance with CE safety regulations, suitable for the heaviest work-loads. The systems provide extremely accurate label placement at high production speeds and feature a superior level of operator friendliness. Changeovers are simple, tool-less and intuitive.

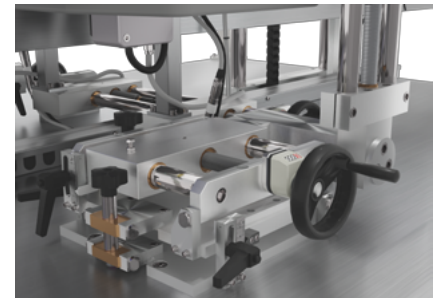
ALTECH's philosophy is to provide a "built-in" structure for our labelling machines. This means that all components are mounted on or are enclosed in sturdy base well protected against dirt and accidental bumps. Labelling heads are mounted firmly to the base to eliminate vibration which can affect labelling accuracies. The modern design looks suitable for any packaging line. Internal cabling guarantees improved protection as well as a clean design. Every ALline labeller is controlled by a powerful PLC. Through its color touch screen HMI, it is possible to set all the electrical devices of the machine, minimizing the need for individual adjustment of these units. Recipes can be stored for these components, labelling parameters, for 100 different products / labels, resulting in fast, simple changeovers.

The mechanical adjustments have been engineered so that every component can be firmly secured during operation while providing accurate repeatability during changeovers. All handwheels include rotary counters, their positioning values can be noted in the HMI and can be recalled with the related format recipe. As option it is available to have full electronic drive for each adjustment axis.

A multicolor alarm beacon (standard on each ALline) provides warnings related to the machine status. In addition it is possible to equip the system with a number of optional devices to improve operating efficiency including items such as: an "energy saving system", a 4.0 connectivity interface, sensors to automatically control the product flow (minimum load/outfeed backup).

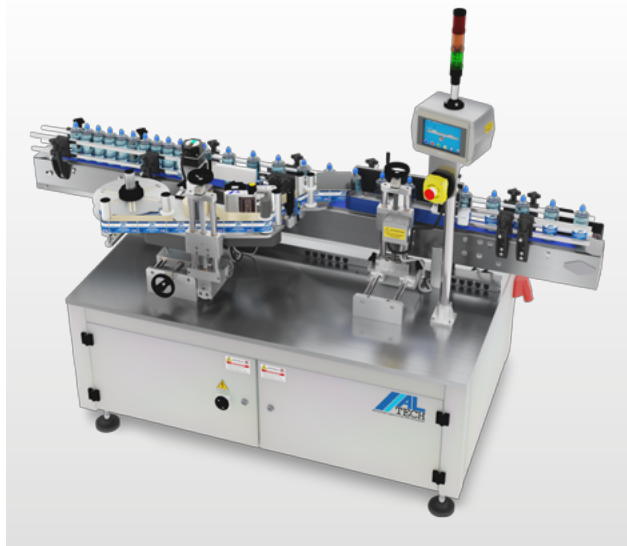



Display touchscreen.



Labelling head support with micrometric adjustment.


ALline C



 *ALline C with wrap unit for wrap-around labelling of cylindrical products. (Video)*

ALline C is a wrap labelling system designed to apply wraparound labels to a variety of cylindrical products. Typically the ALline C is used for glass or plastic bottles and jars and metal cans supplied to the food, beverage, chemical and pharmaceutical industries. The system is composed of a compact base to accommodate an ALritma label head, conveyor and wrap unit. Accurate product spacing can be handled in a variety of ways including, index wheels, a single belt, dual belts for heavy products or timing screws. The conveyors are available in a variety of widths and pitches depending on product size. Both the base and conveyors are available in AISI 304 stainless steel. The MR16 is a 3 roller wrap labelling system designed to apply a wrap label or multiple labels while the bottle spins in a stationary position. This provides greater product control and application accuracy and can be used on slightly uneven or soft products.



 *3 rollers wrap labelling system for wrap around labelling of cylindrical products. (Video)*

The primary use for the MR16 is its ability to orient the label to a feature on the bottle. This could be a printed eye mark, a seam, an embossed feature or a handle. It can be used for a variety of applications including: paint cans, spray pumps, aerosols, pre-labelled bottles or bottles with jug handles. The ALLine CH labels unstable products while in a horizontal position. A horizontal roller conveyor with a stainless steel structure keeps the products properly spaced and delivers them to the label head and wrapping device. The system can be designed with a continuous or indexed motion and can be supplied with an array of wrapping devices suited for various applications. Typical products would be small vials or tubes, syringes, cosmetic tubes, cigar tubes or even packaged sausages.

ALine E

The ALLine E is designed to apply front and back labels onto elliptical or rectangular products, generally used to label glass, plastic or metal jars, boxes or bottles for the food, cosmetic, health & beauty and chemical industries. Two opposing ALritma label heads are mounted to a sturdy enclosed ALLine base. The ALLine E can be equipped with the same handling and spacing devices used on ALLine C. In addition to these elements, the ALLine E has available other devices to align and drive the products (orienting units and top stabilizers).

As a standard feature, ALLine E includes a state-of-the-art synchronizing system, using an encoder and brushless motors to provide a unique speed set for the entire machine. This provides constant labelling accuracy even in the case of load variation or during



Orienting unit with double chain.

the start – stop and acceleration phases.


On the ALLine E the upper trestle is always present, thus adding additional strength to the entire structure. The rotary control panel mounted on the top allows

an ergonomic access to the HMI, easily accessible from either side of the machine.

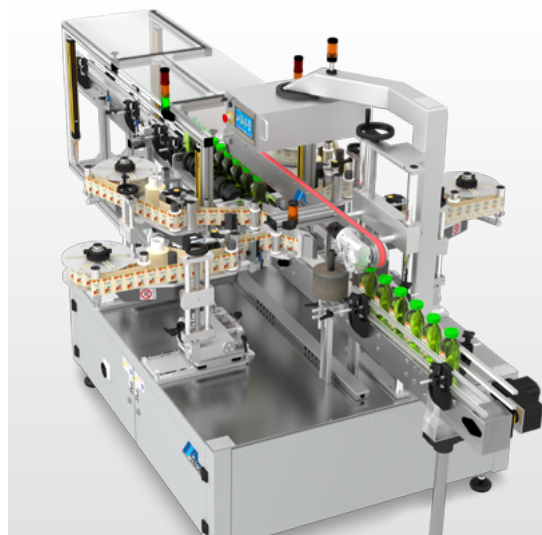
The safety cabinet is optional (depending on application) and includes interlocks on the doors for complete operator protection. In its standard configuration it includes an ingenious pantographic door system with reduced opening radius. Wrap units can be

added to the ALLine E effectively making it an ALLine EC. This can be supplied to customers needing the flexibility to label both cylindrical products and products requiring front and back labelling.



 *Top stabilizer belt for ALLine E. (Video)*


ALine Special



ALLine can also be specifically configured to meet special requirements: additional heads can be added for promotional labelling or top labelling, 3 or 4 sided labelling can be achieved on square or rectangular container, tamper evident labels can be applied over corner of cartons or jars, all possible by the addition of reliable, tested devices.

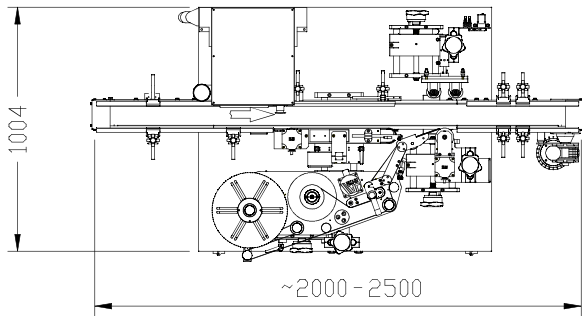
When high speeds are required, larger powered unwind units can be integrated into to our high speed ALritma X label heads.

Also Zero-Downtime configurations with dual heads and automatic switching are available. This allows the two label heads to switch back and forth as a roll nears the end allowing easy roll changes without stopping the machine or mis-labelling a product. All functions of the automatic switching are handled through our CS07 non-stop microprocessor.

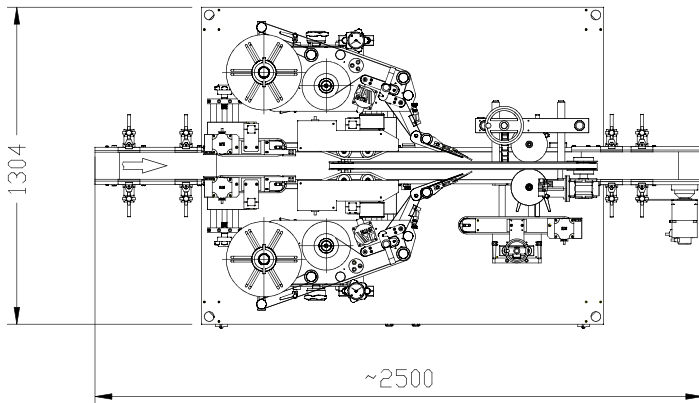
 *ALLine special in NON-STOP configuration for front/back labelling on rectangular bottles. (Video)*

Technical specifications

ALline C



ALline E



Standard features

- Steel powder coated structure (Ss as option) with built in electrical plant.
- PLC Control, with color touch screen HMI (7").
- Multicolor alarm beacon.
- Full synchronization (standard on ALline E, option on ALline C).
- Counters on all hand-wheels.
- Store up to 100 recipes.
- CE compliant.
- Power supply: 400 V, 50/60 Hz (3 phases + N + E), special on demand.

Common optional devices

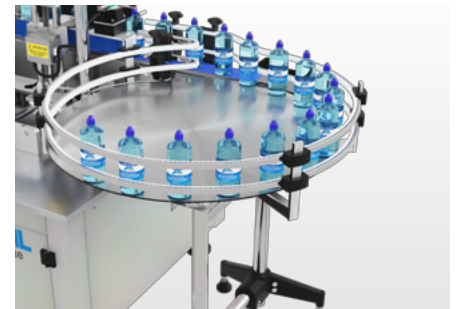
- Tilt micrometric adjustment for side heads.
- Infeed/accumulation tables.
- Accumulation sensor at outfeed.
- Energy saving device.
- Connectivity 4.0.
- Safety protection cabinet (compulsory or option depending on application).
- Coder/printer for variable data.
- Control system for label presence check.
- Plates for infeed/outfeed product passage.
- Scales on all adjustment.
- Audible alarm.
- Non-stop configuration.



Adapter for seals.



Thermal transfer marker.



Infeed/accumulation table.



ALTECH SRL

Viale de Gasperi, 70 - 20010 Bareggio (MI), Italy

www.altech.it - E-mail: Info@altech.it

Tel. +39.02.90.363.464 - Fax +39.02.90.363.481