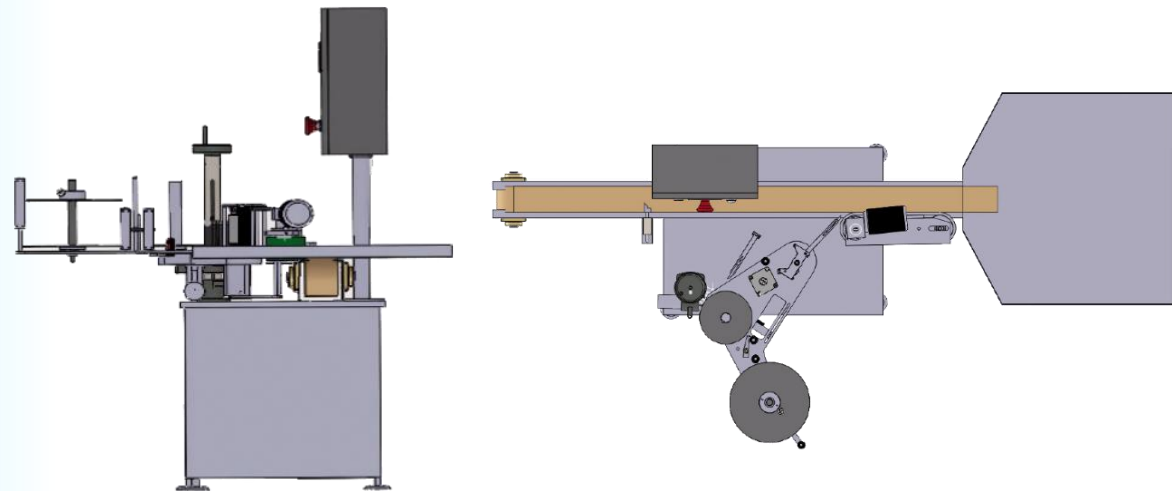


SET200

SET200 is a precise and low cost labelling machine. It applies a label on cylindrical containers, adaptable to different sizes. Controlled by touch screen to select where the label will be placed. Motorized step by step motor, with a maximum speed of 25 m/min. Adaptable to different sectors such as pharmaceutical, chemical, food industry, beverages...



CHARACTERISTICS

- Production speed:** Maximum 3.500 packages per hour.
- Dispensing speed:** 50 meters per minute as maximum.
- Label length size:** 12mm - indeterminate.
- Label width size:** 10mm minimum – 120mm – 205mm maximum according to the model.
- External diameter labels:** 300mm.
- Inside reel diameter:** 40 or 76mm.
- Motorization:** Step by step motors.
- Product size:** Ø 20mm - Ø 150mm.
- Power supply:** 230 V, 50 – 60 Hz.
- Compressed air:** 6 Bars with thermoprinter.

OPTIONAL:

- Rollers system to apply wrap-around label with full accuracy.



MARCOPACK, S.L. - P.I. Saladar I - Avd. Papá Ali s/n 30564 Lorquí (Murcia) Spain • Tlf.: +34 968 692 265 - Fax: +34 968 692 053
www.marcopack.com - E-mail: marcopack@marcopack.co

Marcopack reserves the right to modify its design and specifications without incurring any obligation because this product is subject to continuous improvement

