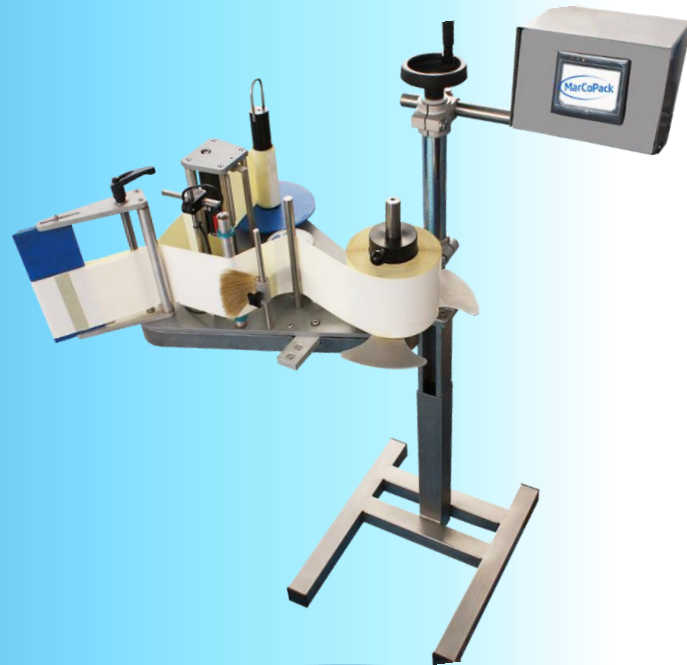
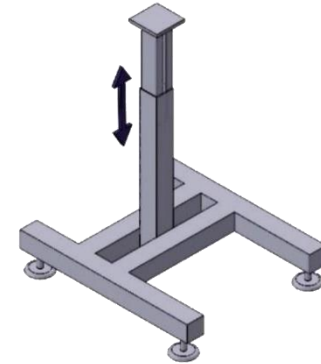
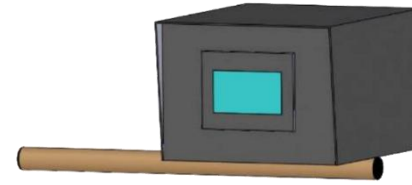
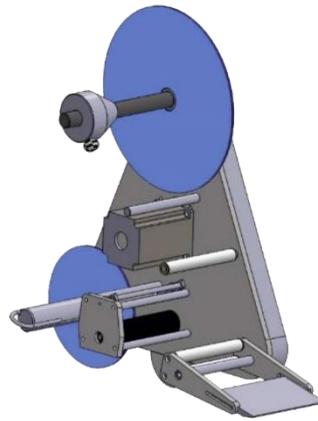


ECOLABEL

Ecolabel has been designed to apply labels on the production line. Reduced costs and high features, with maximum labeling speed of 25mtrs/min.

Independent basement, to place the application wherever its needed.



CHARACTERISTICS

Production speed: Maximum 9.000 packages per hour.

Dispensing speed: 25 meters per minute as maximum.

Label length size: 12mm - indeterminate.

Label width size: 10mm minimum – 120mm – 205mm maximum according to the model.

External diameter labels: 300mm.

Inside reel diameter: 40 or 76mm.

Motorization: Step by step motors.

Compressed air: 6 Bars with print system.

Power supply: 230 V, 50 – 60 Hz.

OPTIONAL:

- Electro-pneumatic system devised to encode products with batch number, expiry date (Hot stamping).
- Adaptable to different packaging machineries.

MarCoPack

MARCOPACK, S.L. - P.I. Saladar I - Avd. Papá Ali s/n 30564 Lorquí (Murcia) Spain • TIF.: +34 968 692 265 - Fax: +34 968 692 053
www.marcopack.com - E-mail: marcopack@marcopack.com

Marcopack reserves the right to modify its design and specifications without incurring any obligation because this product is subject to continuous improvement

